

A B C D E F

# ☆☆☆ 300 Series ☆☆☆

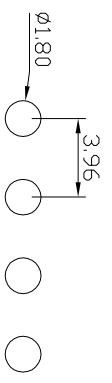
P/N: W300V\*\*T00

Material: Nylon 6/6, UL 94V-2, Natural

Conductor: SQ1.14\*17.5mm, Brass, Tin-Plated

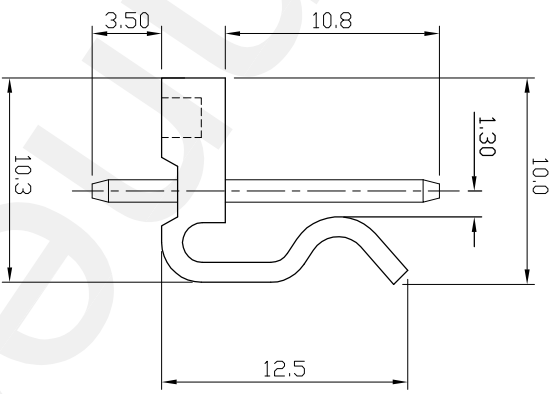
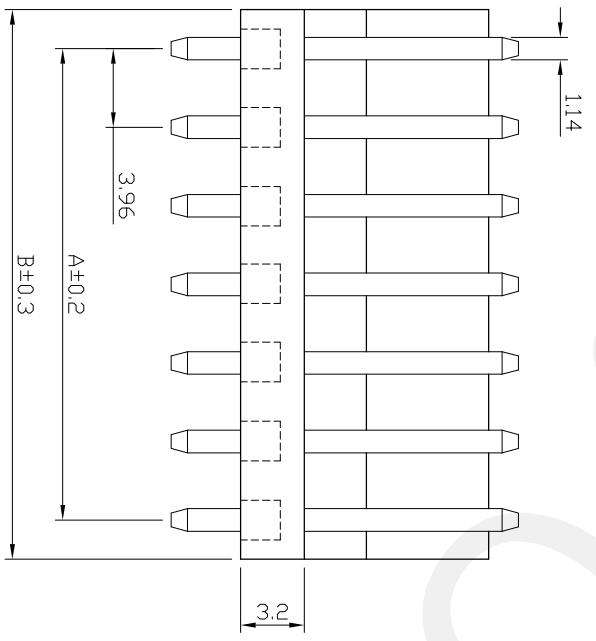
Available: 2~20P

Mate with H300



RECOMMENDED P.C. BOARD HOLE DIMM.

REVISIONS			
REV	DESCRIPTION	DATE	DRAWN
A	Dimension added	2011/07/15	Michael



ROHS Compliant



TEL: 886-2-86871898 FAX: 886-2-86872959  
 Mail: tceldh@gmail.com Web: http://www.cnj.tw/

.155"(3.96mm) Wire to Board Vertical Wafer

TITLE	DIMENSION TOLERANCE	
	X $\pm 0.30$	X° $\pm 2^\circ$
	.XX $\pm 0.20$	
	.xxx $\pm 0.10$	

P/N	W300V**T00	CHECKED	DAVID	UNIT	mm	DATE	2010/08/31
DRAWN	Michael	APPROVED	Lily	SCALE	1:1	REV	A

A B C D E F

4

3

2

1

4

3

2

1